

# KEGCOOLER LINEUP

## 11 MODELS

Our Kegcooler range begins with the compact 600 model. (The name refers to the width of the coolers in mm.)

They are available in several sizes and configurations. From the 600 up to the new 2260 with enough space for 10+ kegs.

The high models (except 2260) can be had with Glass Doors and offers a choice between side- or top-mounted Cooling Units.

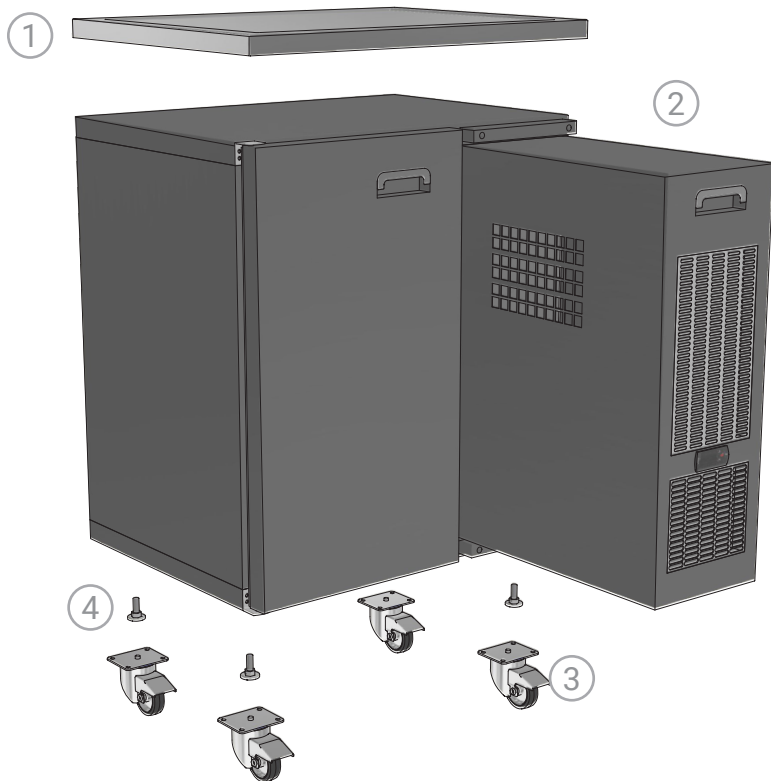


# LOW KEGCOOLERS

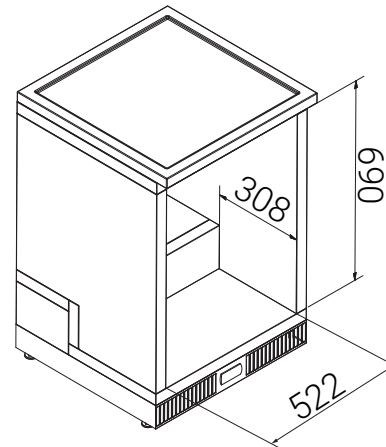
## FEATURES

Can be used as stand-alone units with wheels and stainless steel tops, or be mounted directly under an existing bar counter.

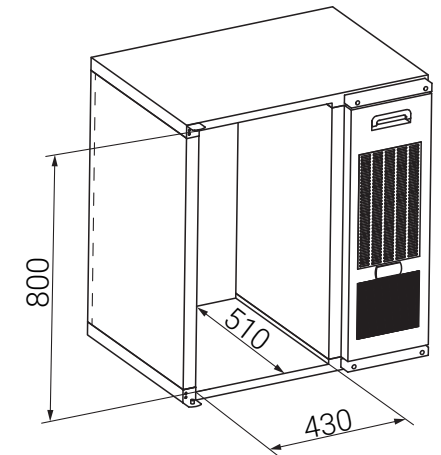
1. Stainless Steel Top (Adds 35mm to the total height.) - Optional
2. Easy to change Cooling Unit. (**Not** applicable on Kegcooler 600)
3. Wheels with lock + 108mm - Optional
4. Adjustable feet 17-35mm



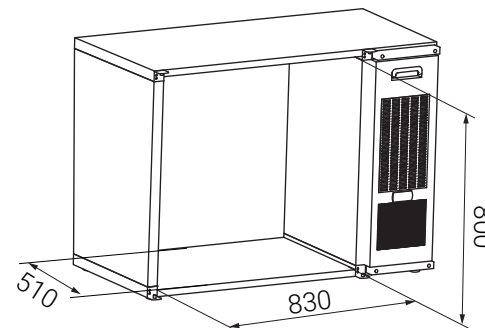
Inside dimensions 600



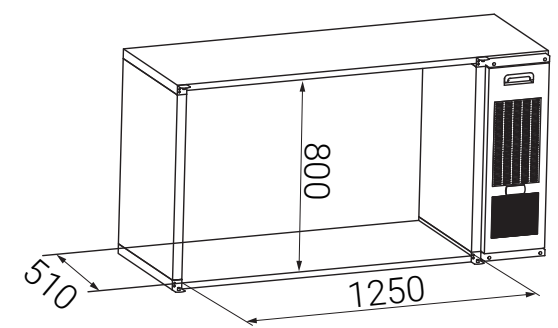
Inside dimensions 780



Inside dimensions 1180



Inside dimensions 1600



# LOW KEGCOOLERS - INSTALLATION EXAMPLES

## KEGCOOLERS 600 - 780 - 1180 - 1600

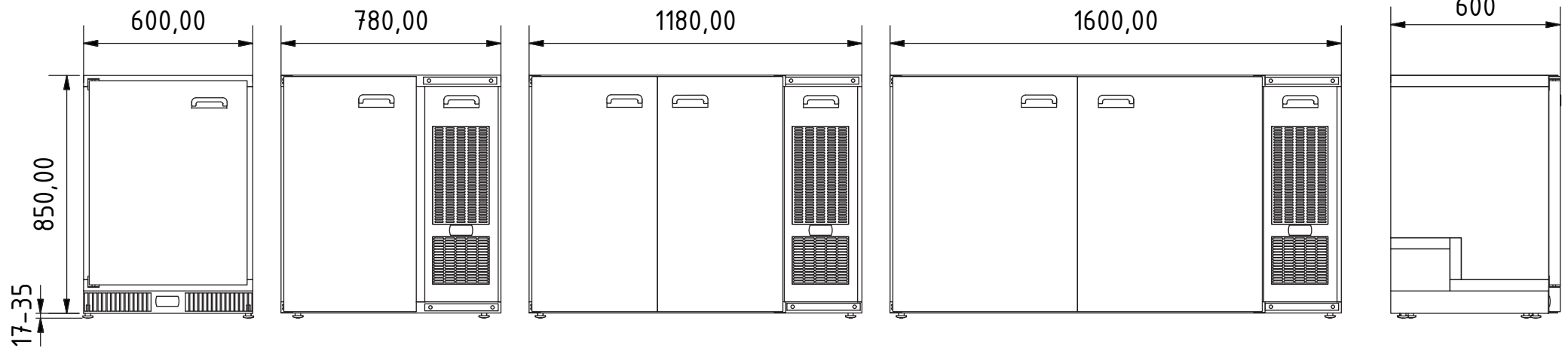
The image shows the three setup options for our cooler range  
The row on the left shows the coolers installed in two different ways in an existing bar, either the cooler is mounted without a SS Top under the bar counter, or with the SS Top, which replaces the bar counter.  
The row on the right shows the standalone versions with wheels mounted.





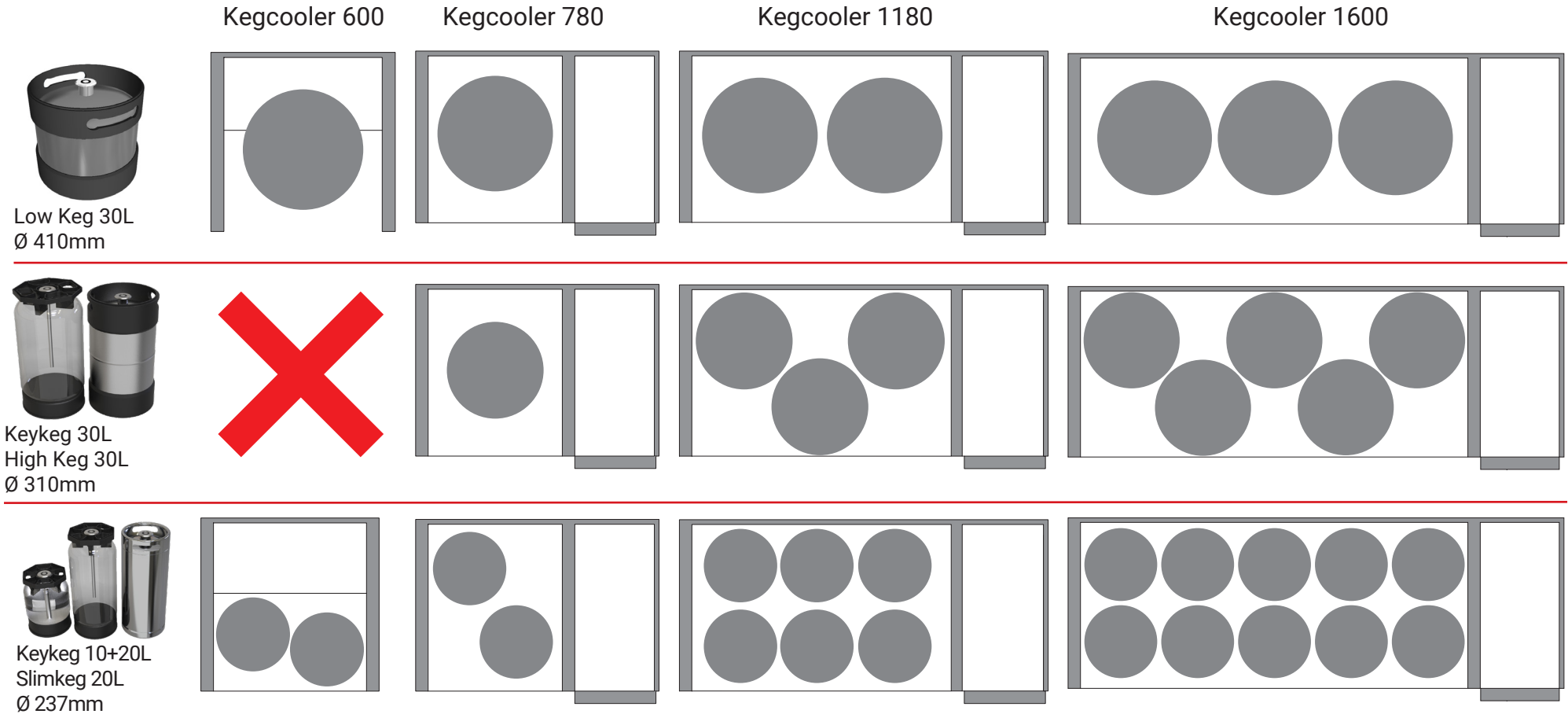
# LOW KEGCOOLERS - DIMENSIONS

KEGCOOLERS 600 - 780 - 1180 - 1600



# LOW KEGCOOLERS - KEG FOOTPRINT

KEGCOOLERS 600 - 780 - 1180 - 1600



# HIGH KEGCOOLERS

## FEATURES

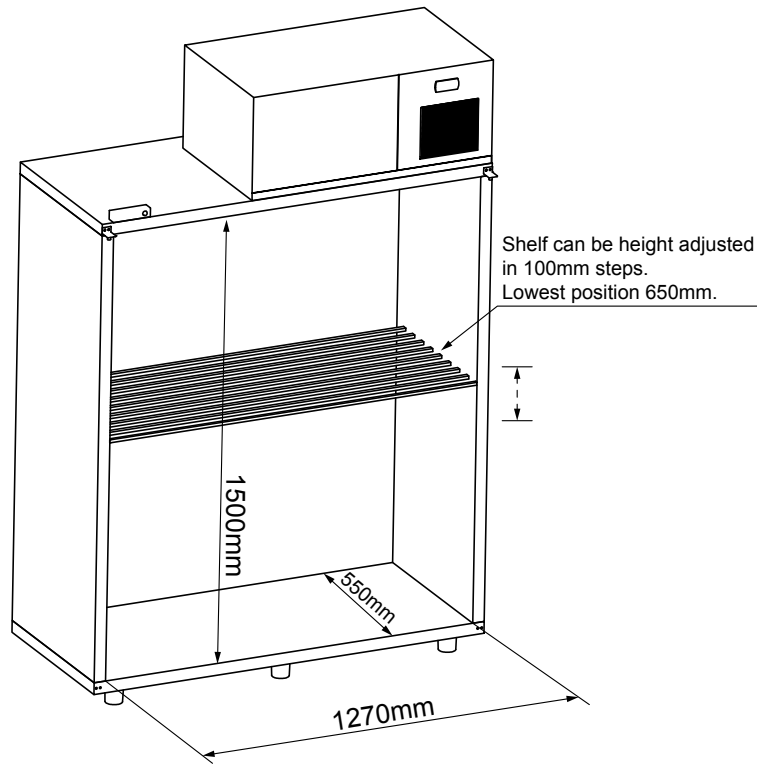


Available with or without glass doors, Coolers with glass doors are LED-illuminated with adjustable colour and intensity. An optional stainless steel shelf can be fitted, it can be height adjusted in three steps with 100mm increments. The Cooling unit (ordered separately) mounts either on top or on the side on models 1375 & 1800

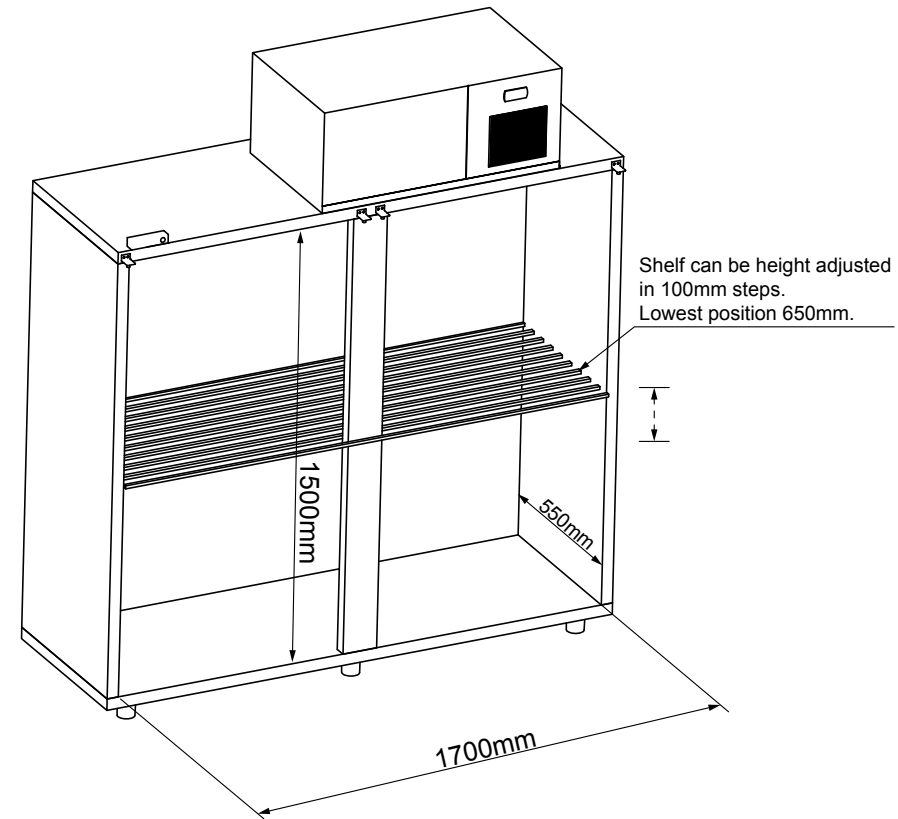
# HIGH KEGCOOLERS 1375 & 1800

## INSIDE DIMENSIONS

1375

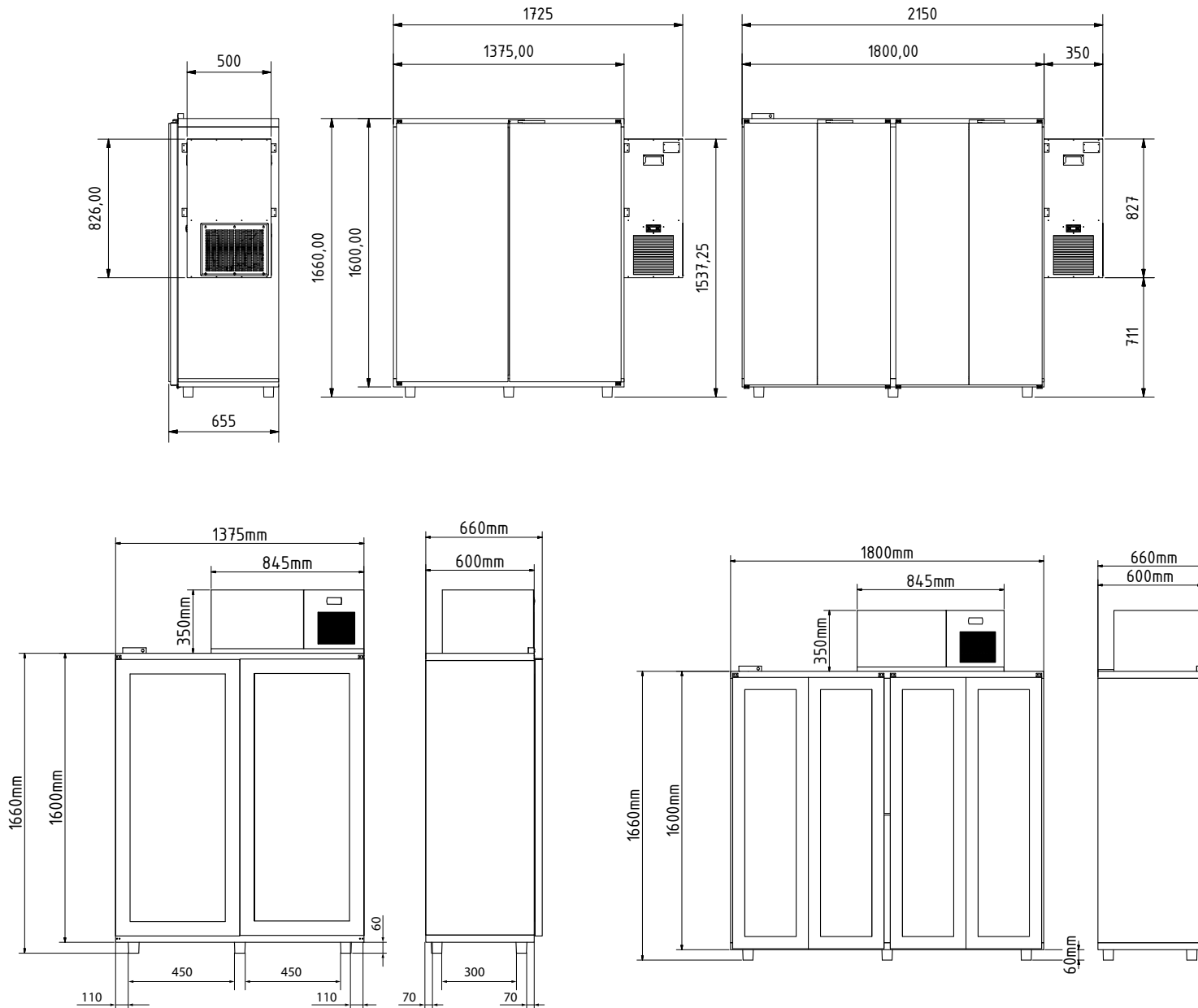


1800



# HIGH KEGCOOLERS 1375 & 1800

## DIMENSIONS





# HIGH KEGCOOLER 2260

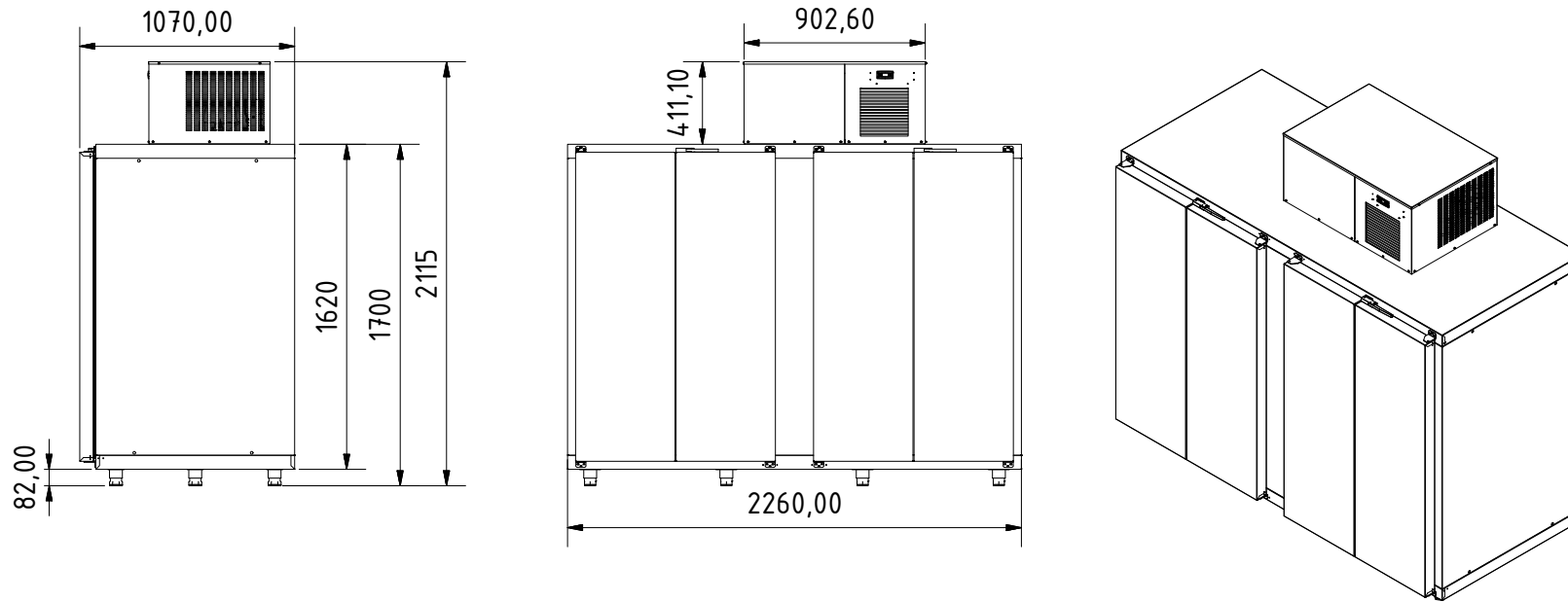
## FEATURES

Our largest Kegcooler can hold at least 10+10 Low Kegs, and even more for storage, depending on user needs. Stainless steel shelf that can be height adjusted in three steps with 100mm increments.

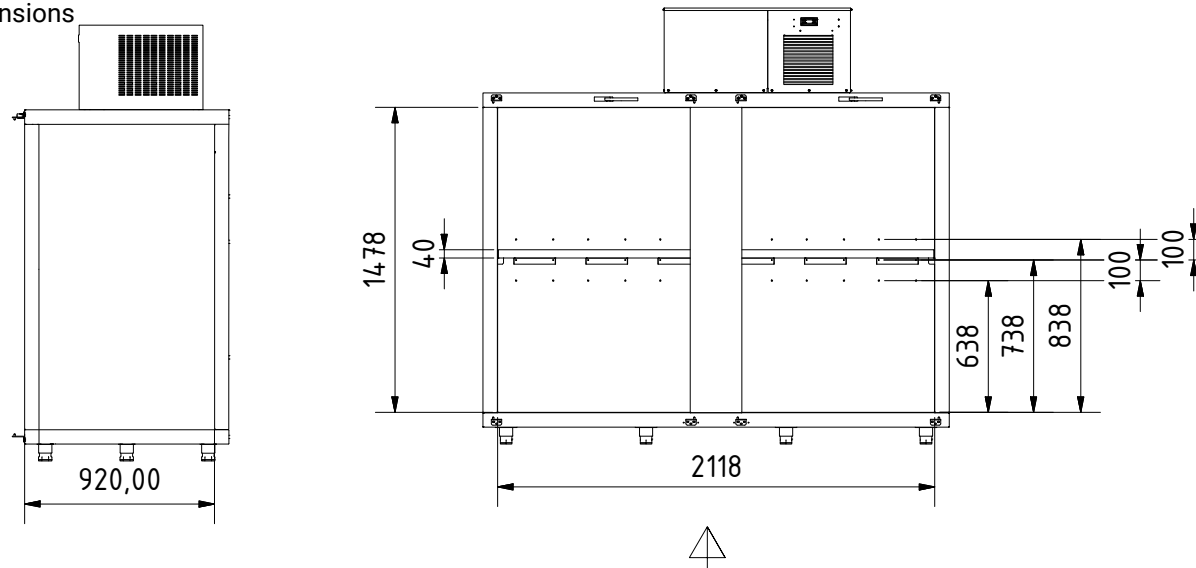


# HIGH KEGCOOLER 2260

## DIMENSIONS



### Inside dimensions



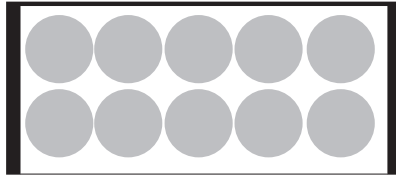
# HIGH KEGCOOLERS KEG FOOTPRINT

KEG COOLER 1375 - 1800 - 2260

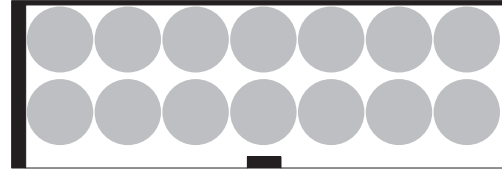


Keykeg 10+20L  
Slimkeg 20L  
Ø 237mm

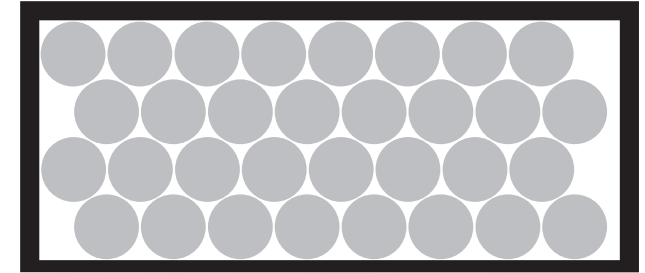
Kegcooler 1375



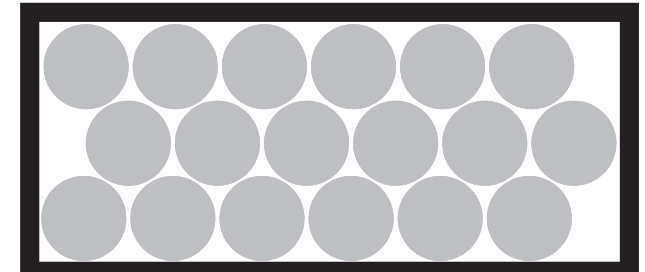
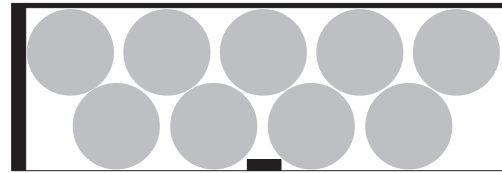
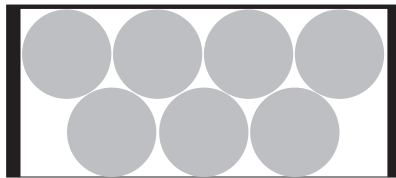
Kegcooler 1800



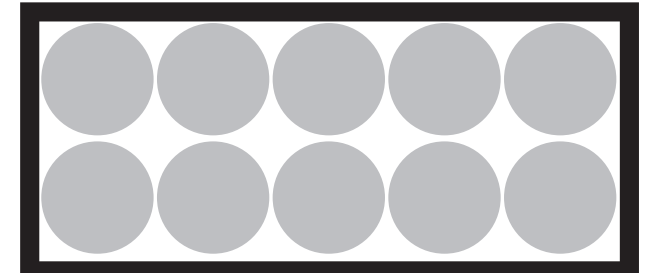
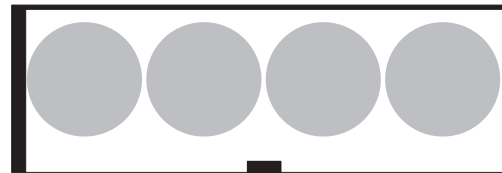
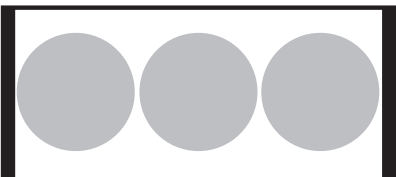
Kegcooler 2260



Keykeg 30L  
High Keg 30L  
Ø 310mm



Low Keg 30L  
Ø 410mm



# CONTACT INFO

MM Service Center AB  
Honungsgatan 2  
SE-432 48 Varberg  
Sweden

Phone: +46 340 545 700  
Email: [mm@micro-matic.se](mailto:mm@micro-matic.se)  
[www.micro-matic.se](http://www.micro-matic.se)